

DC MOTORS

SOLID YOKE DC MOTORS

Self Fan Cooled (IC 01) / Force Cooled (ICO6) - (IP 22 / IP 23 Protection)

Range: 0.18KW to 100KW with based speed 300 to 3000 rpm,

Armature voltage 12v, 24v, 36v, 48v, 110v, 220v, 440v Available on request.

DC motors with various types of construction are available from 80 to 225mm FRAME size



Self Fan Cooled



Force Cooled

Standards

Motors confirms to IS 4722. Temperature are well within 45° c (ambient temp) Self Fan Cooled motors have an internal cooling fan on the motor shaft. However, with self fan cooling, it is not recommended to run the motor below 80% of the rated speed for longer periods.

Motors when used for variable speed drives are likely to run continuously at lower speeds. Such motors are cooled by a separate force cooling unit mounted on the motor. Normally this unit consists of 1/3 Ph. A.C. motor driven Fan (blower), which runs at a constant speed, giving constant rate of cooling, irrespective of the speed of the main D.C. Motor.

Construction Features

Yoke made of high quality mild steel frame body.

Armature laminations of high grade silicon steel for low iron losses and high efficiency. i.e. (CRNGO)

Commutators made from silver barring copper alloy insulated with epoxy mica.

Armature windings are trickle impregnated with high thermal class synthetic resin properly baked at designated temp. to give complete protection against damages from moisture, acids & alkalies.

End-shields are made from cast iron FG 200 and precisely machined.

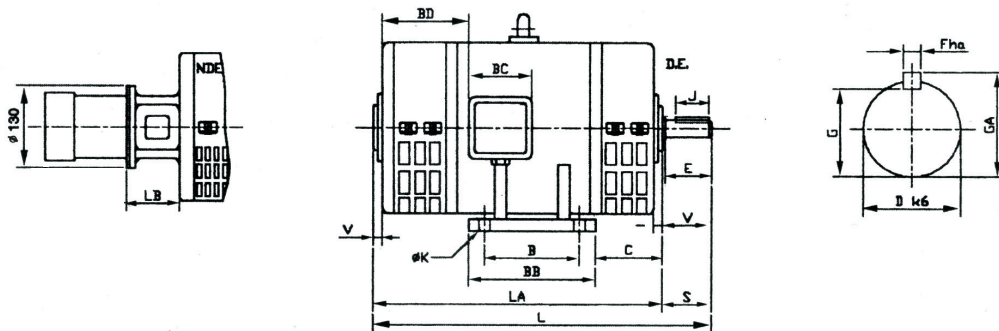
Main poles are made from thick laminations (G.I. sheet) to reduce eddy-current losses.

Interpoles are fitted in motors in order to achieve better commutation.

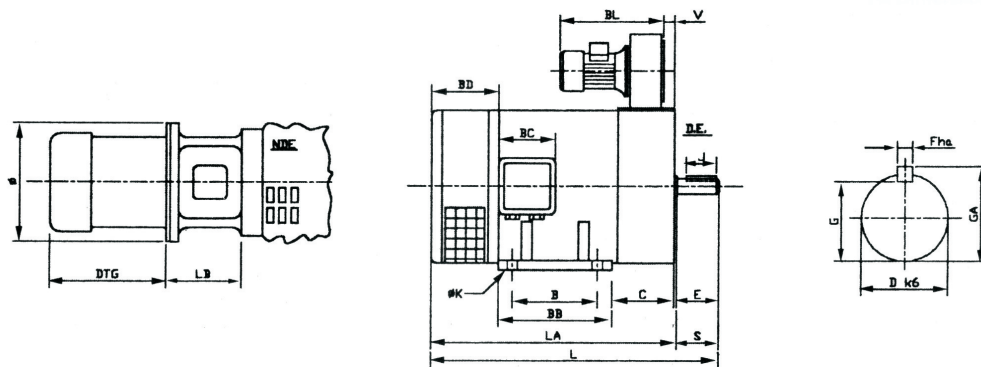
High-Electro-graphite carbon brushes used which displays best running properties under variable loads.

Ventilation : Motors are equipped with SCREEN PROTECTED DRIP PROOF (SPDP) & TOTALLY ENCLOSED (TE).

External force cooling is provided with blower mounted motor.

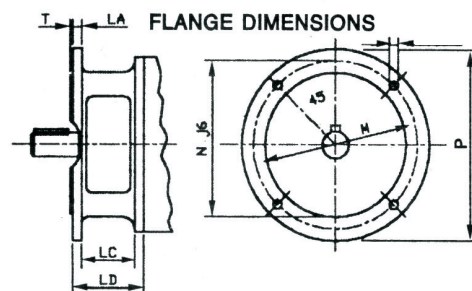


FRAME	D	E	F	G	GA	B	J	BB	BC	BD	V	C	K	LB
S						70		90				72.5		
80 M	19	40	6	15.5	21.5	90	36	116	108	84	0	75.5	11	72
L						116		145				75.5		
S						63.5		95		80		76		
M						82.5		115		85		85		
112 L	22	50	6	18.5	24.5	130	45	160	108	90	7	83	11	72
LK						159		195		95		91		
112 VS	22	50	6	18.5	24.5	130	45	160	108	90	7	85	11	72
132 M	28	60	8	24	31	114	56	145	120	96	7	91.5	11	92
L						140		175		90		94		

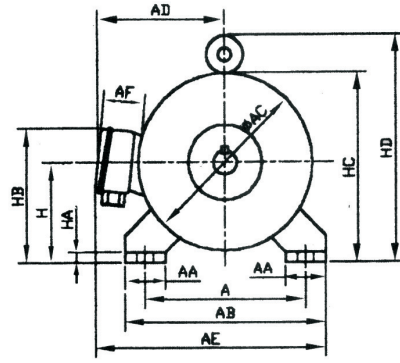


FRAME	D	E	F	G	GA	J	B	BB	BC	BD	BL	V	T	BW	C	K
132 M	28	60	8	24	31	56	114	145	120	96	285	12	0	285	91.5	11
L							140	175		90					94	
160 S							150	180							134	
M							178	220							142	
L	38	80	10	34	42	70	220	260	148	110	293	8	30	285	146	14
LK							250	300							157	
225 M	60	140	18	53	64	125	228	280	160	177	356	10	30	350	201	19

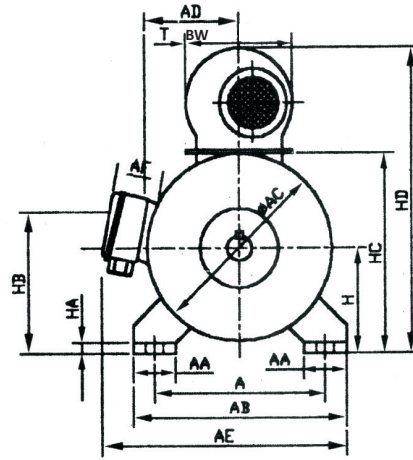
FRAME	N	M	P	S	T	LA	LC	LD
80	130	165	200	12	3.5	10	36	61
112	230	265	300	15	4	12	42	67
132	250	300	350	19	4	14	44	76
160	250	300	350	19	5	15	67	120



All Dimension are in mm



FRAME	H	A	AA	AB	AC	AD	AE	AF	HA	HB	HC	HD	LA	S	L
S									9				241		284
80 M	80	140	25	166	156	145	228	65	9	188	158		267	43	310
L									9				293		336
S					192	153	266				208		252		305
M													277		330
112 L	112	190	40	230	200	175	290	65	10	196	212		321	53	374
LK													368		419
112 VS	112	190	40	230	223	190	305	65	10	238	224		330	53	383
132 M	132	254	50	296	263	200	347	73	17	286	264	312	328		391
L													361	63	424



FRAME	H	A	AA	AB	AC	AD	AE	AF	HA	HB	HC	HD	LA	S	L	LB
132 M	132	254	50	296	263	200	347	73	17	246	270	530	328	63	391	92
L													361		424	
S													412		495	
M													462		545	
160 L	160	254	63	314	306	230	386	90	17	275	318	585	512	83	595	92
LK													562		645	
225 M	225	356	100	456	438	322	550	105	23	310	455	765	614	145	759	100

All Dimension are in mm